



SFP+ Passive Copper Cables Assembly 10Gb/s

SODA-10G-P1-100M

Product Features

- ✧ Support for multi data rates up to 10.5Gbps
- ✧ Data rates backward compatible to 1Gbps
- ✧ Support hot-pluggable
- ✧ Metal with lower EMI
- ✧ Excellent ESD protection
- ✧ Single 3.3V power supply
- ✧ Available in lengths of 1, 2, 3, 5 and 7m
- ✧ GR-253-CORE compliant
- ✧ RoHS Compliant and Lead-Free
- ✧ Compliant with SFF-8472 Rev 11.1
- ✧ Compliant with SFP+ MSA: SFF-8431 Rev4.1

Applications

- ✧ 1/10GbE
- ✧ 1/2/4/8x FC
- ✧ Infiniband 1X SDR DDR QDR
- ✧ Proprietary Interconnects

Product Selection

Part Number	Lengths	Note
SODA-10G-P1M	1m	1
SODA-10G-P3M	3m	1
SODA-10G-P7M	7m	1
SODA-10G-P10M	10m	1
SODA-10G-P100M	100m	1

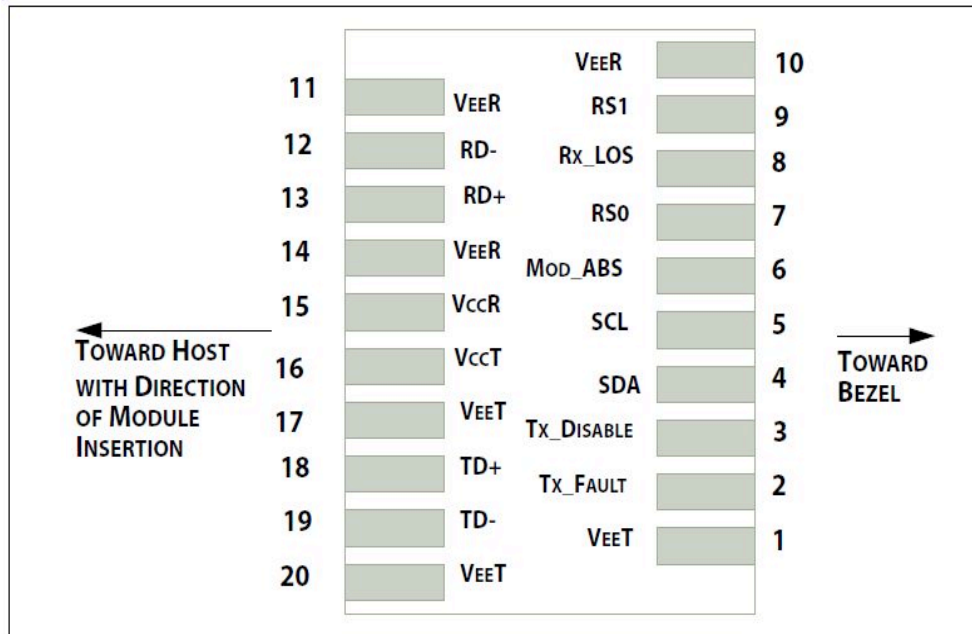
Regulatory Compliance

- ESD to the Electrical PINs: compatible with MIL-STD-883E Method 3015.7
- RF Immunity compatible with IEC 61000-4-3
- EMI compatible with FCC Part 15 Class B EN55022 Class B
- RoHS compliant with 2002/95/EC 4.1&4.2 2005/747/EC

Pin Descriptions

Pin	Symbol	Name/Description	Ref.
1	VeeT	Transmitter Ground ,Common with Receiver Ground in Module	
2	TX Fault	N/A, pulled to VeeT in Module	
3	TX Disable	N/A, pulled to VccT with 4.7k to 10k ohm in Module	
4	SDA	2-Wire Serial Interface Data Line(Same as MOD-DEF2 in INF-8074i). LVTTTL-I/O	
5	SCL	2-Wire Serial Interface Data Line(Same as MOD-DEF2 in INF-8074i). LVTTTL-I	
6	Mod_ABS	Module Absent, Connect to VeeT or VeeR in Module.	
7	RS0	N/A	
8	LOS	N/A, pulled to VeeR in Module	
9	RS1	N/A	
10	VeeR	Receiver Ground	
11	VeeR	Receiver Ground	
12	RD-	Receiver Inverted DATA out, AC Coupled, CML-I	
13	RD+	Receiver Non-inverted DATA out, AC Coupled, CML-I	
14	VeeR	Receiver Ground	
15	VccR	Receiver Power Supply	
16	VccT	Transmitter Power Supply	
17	VeeT	Transmitter Ground	
18	TD+	Transmitter Non-Inverted DATA in. DC Coupled, CML-O	
19	TD-	Transmitter Inverted DATA in. DC Coupled, CML-O	
20	VeeT	Transmitter Ground	

Pin-out of Connector Block on Host Board



Absolute Maximum Ratings

Parameter	Symbol	Min	Typ	Max	Unit	Ref.
Maximum Supply Voltage	Vcc	-0.5		+4.0	V	
Storage Temperature	TS	-40		+85	°C	
Operating Humidity	RH	5		95	%	

Recommended Operating Conditions

Parameter	Symbol	Min	Typ	Max	Unit	Ref.
Power Supply Voltage	Vcc	3.13	3.30	3.47	V	
Power Supply Current	Icc	-	-	100	mA	
Case Operating Temperature	Tc	-5	-	+70	°C	

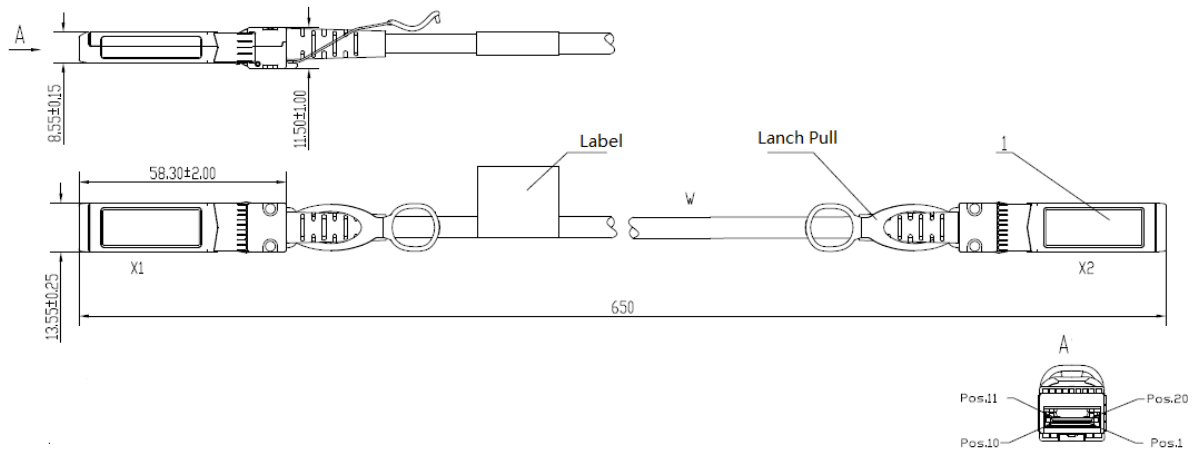
Electrical Characteristics

Parameter	Symbol	Min	Typ	Max	Unit	Ref.
Data Rate	BR	1	10.3	10.5	Gbps	1
Bit Error Ratio	BER			10 ⁻¹²		2
Input differential impedance	Zin	90	100	110	Ω	

Notes:

- 1/10 Gigabit Ethernet and 1/2/4/8G Fiber Channel compliant.
- Tested with a PRBS 2³¹-1 test pattern.

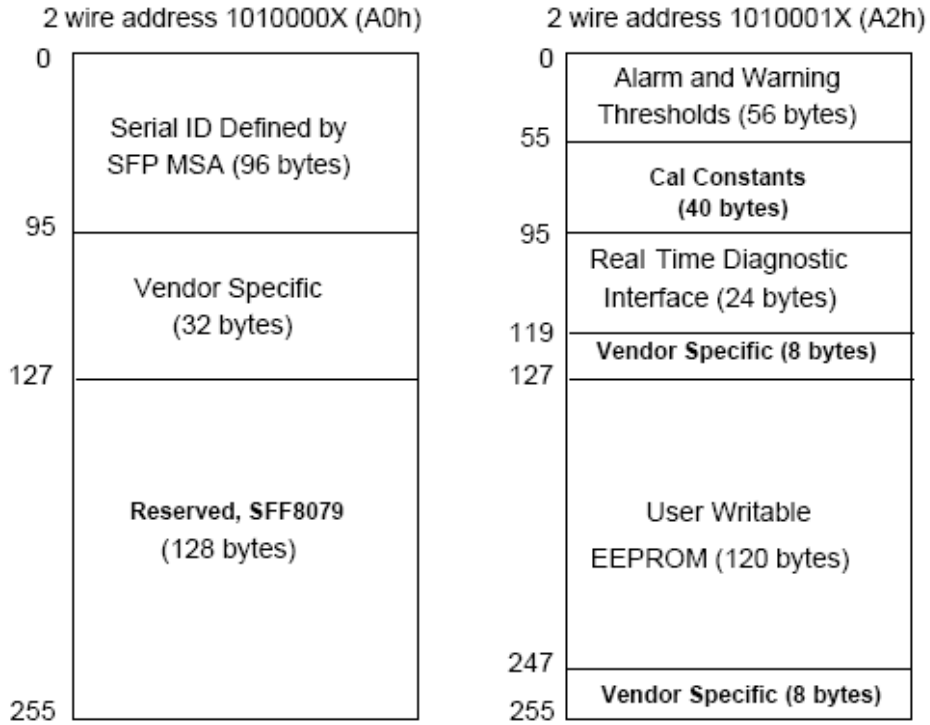
Mechanical Specifications



SODA-10G-P1-100M

EEPROM Information

EEPROM memory map specific data field description is as below:



For More Information

Shenzhen SINOVO Telecom co.,limited

Tel:0755-3295 9919 Fax:0755-3299 9918

Web:www.sinovocorp.com Email: sales@sinovocorp.com

Factory ADD: 5/F Chuang Park,Taoyuan Street,Baoan District,Shenzhen,China 518000

Head Quarter:11/F,Taibang Technology Building,Gaoxin South 4th,Science and Technology Park

South,Nanshan,Shenzhen,China 518040