

GWH Screw terminal, 105°C Standard series

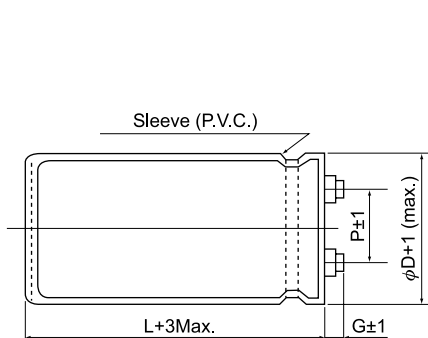
- Screw terminal, working temperature range up to 105°C.
- High ripple current & reliability for industrial equipments use.
- Life guaranteed 2,000 hours/105°C.



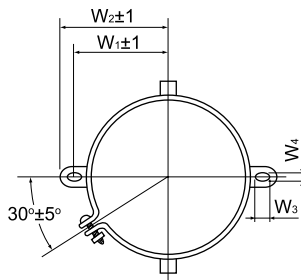
• Specifications

Item	Performance Characteristics										
Operating Temperature range	-40 + 105°C					-25 + 105°C					
Rated Voltage	10V ~ 100V					160V ~ 450V					
Capacitance Range	1000 ~ 330,000 µF										
Capacitance Tolerance	±20% (120Hz, 20°C)										
Leakage Current	I ≤ 0.02CV or 5 mA, whichever is greater after 5 minutes application of rated voltage.										
Dissipation Factor (Tan δ) 120 Hz, 20°C	Case Dφ \ WV	10	16	25	35	50	63	100	160~50	400~450	
	35φ	0.80	0.80	0.35 (0.40)	0.30 (0.35)	0.25 (0.30)	0.20 (0.25)	0.15	0.15	0.15	
	51φ	1.00	0.90	0.40 (0.50)	0.45 (0.50)	0.35 (0.40)	0.25 (0.30)	0.15	0.15	0.15	
	64φ	1.20	1.00	0.60 (0.80)	0.55 (0.60)	0.40 (0.45)	0.30 (0.35)	0.20	0.15	0.15	
	77φ	2.00	1.20	1.00	0.70	0.50	0.40	0.25	0.15	0.15	
	90φ	2.00	1.20	1.00	0.70	0.50	0.40	0.25	0.15	0.15	
The values in blank are for body height which more than 100 mm.											
Temperature Characteristics (120 Hz)	Impedance Ratio / Stability at Low Temperature										
	Rated voltage (V)	10 ~ 100					160 ~ 450				
	Z (-25°C) / Z (20°C)	-----					8				
	Z (-40°C) / Z (20°C)	12					-----				
Load Life	After 2,000 hours application of WV at 105°C, capacitor shall meet the characteristics requirements mentioned below.										
	Capacitance change	Within ± 20% of initial value									
	Tan δ	≤ 200% of initial specified value									
	Leakage current	≤ Initial specified value									
Shelf Life	At 105°C, no voltage applied for 1,000 hours, the capacitor shall meet the limits as in load life.										

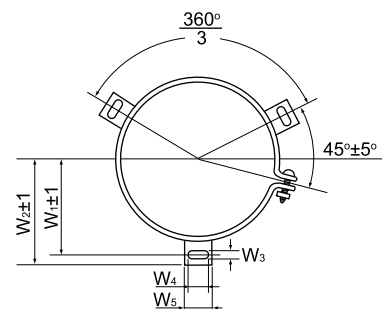
• Dimension (mm)



Mounting Clamp : 35φ



Mounting Clamp : 51 ~ 90φ



Dφ	W1	W2	W3	W4	W5	P	G	Bolt
35	24.0	30.0	7.0	3.5	10.0	12.7	6	M5
51	32.5	37.5	4.5	7.0	13.0	21.8	6	M5
64	38.5	42.8	4.5	7.0	13.0	28.2	6	M5
77	44.8	49.0	4.5	7.0	13.0	31.4	6	M5
90	52.3	58.8	5.0	8.0	16.0	31.4	6	M5

• Standard Products Table

Dφ x L (mm)

WV(SV) Cap (μF)	10 (13)		16 (20)		25 (32)		35 (44)		50 (63)	
8200									35 x 60	3.18
10000									35 x 70	3.75
15000							35 x 60	4.09	35 x 80	4.88
22000			35 x 50	3.25	35 x 60	4.59	35 x 80	5.63	51 x 70	5.57
33000	35 x 50	3.72	35 x 60	4.31	35 x 80	6.39	51 x 70	6.56	51 x 90	7.60
47000	35 x 60	4.81	35 x 80	5.84	35 x 90	8.04	51 x 80	8.29	64 x 96	9.48
56000	35 x 70	5.61	35 x 90	6.72	51 x 70	8.31	51 x 90	9.53	64 x 96	10.34
68000	35 x 80	6.57	51 x 70	6.66	51 x 90	10.21	51 x 115	11.11	64 x 115	11.62
100000	51 x 70	7.67	51 x 90	9.00	64 x 96	11.28	64 x 115	12.20	77 x 115	14.14
150000	51 x 90	10.46	64 x 96	11.22	64 x 115	12.94	77 x 115	13.90	90 x 130	19.02
220000	64 x 96	13.53	64 x 115	14.69	77 x 115	14.83	90 x 130	17.42		
330000	64 x 115	17.92	77 x 115	18.24	90 x 130	19.94			Case size	Ripple

WV(SV) Cap (μF)	63 (75)		100 (125)		160 (200)		200 (250)		250 (300)	
1000					35 x 60	1.50	35 x 60	1.62	35 x 70	1.73
1500					35 x 60	1.98	35 x 70	2.12	35 x 90	2.38
2200					35 x 70	2.57	35 x 90	2.88	51 x 70	2.94
3300					35 x 90	3.52	51 x 80	3.49	51 x 90	4.01
4700					51 x 80	4.54	51 x 90	4.38	64 x 115	5.29
5600			35 x 90	4.59	51 x 90	5.22	64 x 96	5.34	77 x 96	5.94
6800	35 x 70	3.31	51 x 70	5.16	64 x 96	5.89	64 x 115	6.37	77 x 115	7.07
8200	35 x 80	3.86	51 x 80	6.00	64 x 96	6.46	77 x 96	6.85	77 x 130	8.18
10000	35 x 90	4.50	51 x 90	6.97	77 x 96	7.56	77 x 115	8.16	77 x 155	9.76
15000	51 x 70	4.95	64 x 96	7.57	77 x 130	10.54	90 x 130	10.98	90 x 157	11.87
22000	51 x 90	6.68	77 x 96	8.69	90 x 130	13.30				
33000	64 x 96	8.73	77 x 130	12.11						
47000	64 x 115	10.43	90 x 130	15.05						
56000	77 x 96	10.96								
68000	77 x 115	13.03								
100000	90 x 130	17.36							Case size	Ripple

WV(SV) Cap (μF)	350 (400)		400 (450)		450 (500)	
1000	51 x 65	2.40	51 x 70	2.47	51 x 90	2.94
1500	51 x 70	3.03	51 x 90	3.38	51 x 115	4.02
2200	51 x 96	4.21	64 x 96	4.46	64 x 115	5.17
3300	64 x 96	5.47	64 x 130	6.24	64 x 130	6.69
3900	64 x 115	6.43	64 x 155	7.34	77 x 120	7.82
4700	64 x 130	7.45	77 x 130	7.97	77 x 144	9.26
5600	77 x 115	7.94	77 x 155	9.39	90 x 145	11.06
6800	77 x 130	9.23	90 x 157	10.94	90 x 196	13.93
8200	77 x 155	10.95	90 x 157	12.01		
10000	90 x 157	12.25	90 x 196	14.64	Case size	Ripple

Allowable ripple current (A rms) at 105°C 120Hz

• Frequency coefficient of allowable ripple current

Frequency	60 Hz	120 Hz	1 KHz	10 KHz	100 KHz
6.3 ~ 35V	0.90	1.00	1.05	1.10	1.10
50 ~ 100V	0.90	1.00	1.10	1.15	1.15
160 ~ 450V	0.80	1.00	1.20	1.30	1.35

• Allowable ripple vs. Ambient temperature

Ambient Temp. (°C)	45	55	70	85	105	
Multiplier	≤ 250V	3.00	2.50	2.00	1.40	1.00
	≥ 350V	2.50	2.00	1.50	1.20	1.00