

GVS Snap-In Type, 105°C Long Life

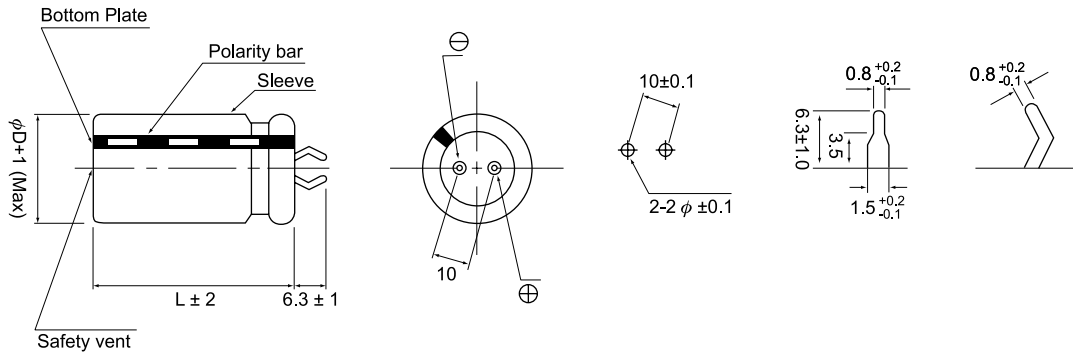
- Snap-In terminal & extended life
- High ripple current & reliability for power supply application.
- Life guaranteed 5,000 hours/105°C.



• Specifications

Item	Performance Characteristics				
Operating Temperature range	-40 + 105°C				
Rated Voltage	200V ~ 450V				
Capacitance Range	47 ~ 1,800 µF				
Capacitance Tolerance	±20% (120Hz, 20°C)				
Leakage Current	I ≤ 0.02 CV or 3 mA, whichever is smaller after 5 minutes application of rated voltage.				
Dissipation Factor (120Hz, 20°C)	Rated voltage (V)	200	250	400	450
	Tan δ (max.)	0.15	0.15	0.15	0.15
Temperature Characteristics (120Hz)	Impedance Ratio / Stability at Low Temperature				
	Rated voltage (V)	200	250	400	450
	Z (-25°C) / Z (20°C)	4	4	6	6
Load Life	After 5,000 hours application of WV at 105°C, capacitor shall meet the characteristics requirements mentioned below.				
	Capacitance change	Within ±20% of initial value			
	Tan δ	175% or less of initial specified value			
	Leakage current	Initial specified value or less			
Shelf Life	At 105°C, no voltage applied for 1,000 hours, the capacitor shall meet the limits as in load life.				

• Dimension (mm)



• The multiplier of frequency & temperature coefficients

Frequency	60 Hz	120 Hz	400 Hz	1 KHz	10 KHz
200 ~ 450V	0.80	1.00	1.10	1.30	1.40

Temperature (°C)	40	60	70	85	105
Multiplier	2.5	2.2	2.00	1.80	1.00

• Standard Products Table

Dφ x L (mm)

WV(SV) Cap (μF)	200V (250V)		250V (300V)		400V (450V)		450V (500V)	
47							22 x 25	0.39
56							22 x 25	0.42
							25 x 30	0.40
68					22 x 25	0.47	22 x 30	0.50
							25 x 25	0.50
82					22 x 25	0.52	22 x 30	0.55
					22 x 30	0.56	25 x 25	0.55
100					22 x 30	0.62	22 x 35	0.65
					25 x 30	0.66	25 x 30	0.66
120					22 x 35	0.72	22 x 40	0.76
					25 x 30	0.73	25 x 35	0.77
150			22 x 25	0.69	22 x 40	0.85	22 x 50	0.94
					25 x 30	0.81	25 x 40	0.91
180			22 x 25	0.76	22 x 45	0.98	25 x 45	1.05
			25 x 25	0.82	25 x 35	0.95	30 x 35	1.05
220	22 x 25	0.85	22 x 30	0.91	22 x 50	1.14	30 x 40	1.22
			25 x 30	0.98	25 x 40	1.11	35 x 30	1.19
270	22 x 30	1.02	22 x 30	1.01	25 x 45	1.29	30 x 45	1.43
	25 x 30	1.02	25 x 25	1.01	30 x 35	1.29	35 x 35	1.41
330	22 x 30	1.12	22 x 35	1.19	30 x 40	1.51	30 x 50	1.65
	25 x 25	1.12	25 x 30	1.20	35 x 35	1.56	35 x 40	1.64
390	22 x 35	1.31	22 x 40	1.37	30 x 45	1.72	35 x 45	1.87
	25 x 30	1.32	25 x 35	1.39	35 x 35	1.70		
470	22 x 40	1.52	22 x 50	1.66	35 x 40	1.97		
	25 x 30	1.45	25 x 40	1.61	35 x 50	2.16		
560	22 x 45	1.75	25 x 45	1.85	35 x 45	2.26		
	25 x 35	1.68	30 x 35	1.85				
680	25 x 40	1.96	25 x 50	1.94				
	30 x 30	1.94	30 x 40	2.15				
820	25 x 45	2.27	30 x 45	2.49				
	30 x 35	2.26	35 x 35	2.45				
1000	30 x 40	2.64	30 x 55	3.00				
	35 x 35	2.74	35 x 40	2.86				
1200	30 x 45	3.04	35 x 50	3.44				
	35 x 40	3.17	35 x 55	3.58				
1500	35 x 45	3.72	35 x 55	4.00				
	35 x 50	3.75						
1800	35 x 50	4.10					Case size	Ripple

Allowable ripple current (A) at 105°C 120Hz