

# GKS Snap-In Type, 85°C Standard Series

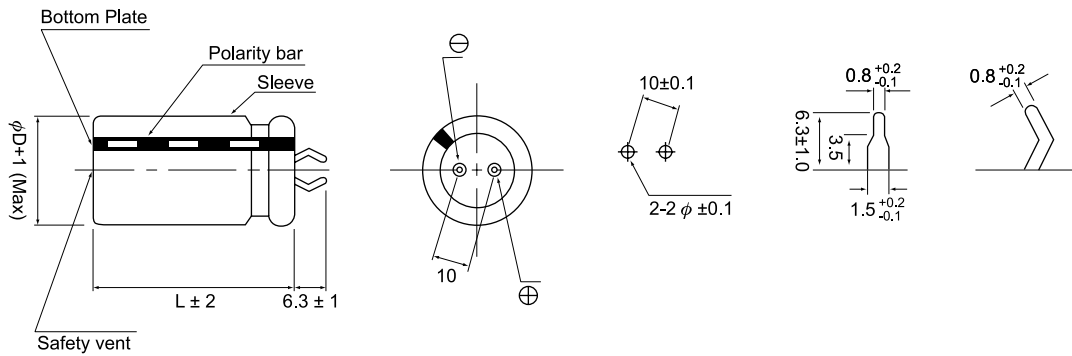


- Snap-In terminal & variety sizes for option.
- Suitable for power supply application.
- Life guaranteed 2,000 hours/85°C.

• Specifications

Item	Performance Characteristics										
Operating Temperature range	-40 + 85°C					-25 + 85°C					
Rated Voltage	16V ~ 250V					350V ~ 450V					
Capacitance Range	56 ~ 56,000 µF										
Capacitance Tolerance	±20% (120Hz, 20°C)										
Leakage Current	I ≤ 0.02CV or 3 mA which is smaller, after 5 minutes application of rated voltage.										
Dissipation Factor (120Hz, 20°C)	Rated voltage (V)	16	25	35	50	63	80	100	160~250	350~450	
	Tan δ (max.)	0.50	0.40	0.35	0.30	0.25	0.20	0.20	0.15	0.20	
Temperature Characteristics (120Hz)	Impedance Ratio / Stability at Low Temperature										
	Rated voltage (V)	16 ~ 100			160 ~ 250			350 ~ 450			
	Z (-25°C) / Z (20°C)	4			3			8			
	Z (-40°C) / Z (20°C)	15			12			-			
Load Life	After 2,000 hours application of WV at 85°C, capacitor shall meet the characteristics requirements mentioned below.										
	Capacitance change	Within ±20% of initial value									
	Tan δ	200% or less of initial specified value									
	Leakage current	Initial specified value or less									
Shelf Life	At 85°C, no voltage applied for 1,000 hours, the capacitor shall meet the limits as in load life.										

• Dimension (mm)



• Frequency coefficient of allowable ripple current

WV \ Frequency	50Hz	60Hz	120Hz	1KHz	10KHz~
16 ~ 100V	0.88	0.90	1.00	1.15	1.15
160 ~ 250V	0.85	0.88	1.00	1.15	1.20
400 ~ 450V	0.88	0.90	1.00	1.10	1.15

## • Standard Products Table

Dφ x L (mm)

Cap (μF) \ WV	16V			25V			35V			50V					
3300												22x30	25x25		
												2.35	2.35		
3900								22x25				22x35	25x30		
								2.16				2.66	2.68		
4700								22x30	25x25			22x40	25x35	30x25	35x25
								2.42	2.42			3.02	3.07	2.98	3.30
5600					22x25			22x35				22x45	25x40	30x30	
					2.11			2.66				3.40	3.47	3.42	
6800					22x30	25x25		22x40	25x30	30x25		22x50	25x40	30x35	
					2.47	2.47		2.97	2.82	2.93		3.84	3.74	3.93	
8200	22x25				22x35			22x45	25x35			25x50	30x40	35x30	
	2.55				2.86			3.29	3.17			4.44	4.47	4.36	
10000	22x30				22x40	25x30	30x25	22x50	25x40	30x30				30x45	35x35
	2.89				3.31	3.15	3.27	3.75	3.65	3.60				5.08	5.01
12000	22x30	25x25			22x45	25x35	30x30		25x45	30x35	35x30			30x50	35x40
	3.01	3.01			3.77	3.63	3.80		4.15	4.14	4.27			5.72	5.69
15000	22x35	25x30	30x25		22x50	25x40				30x40	35x35				35x45
	3.45	3.48	3.61		4.21	4.10				4.77	4.95				6.56
18000	22x40	25x35			25x45	30x35	35x30			30x45	35x40				35x50
	3.84	3.91			4.53	4.52	4.66			5.30	5.52				7.14
22000	22x50	25x40	30x30			30x45	35x35				35x45				
	4.52	4.40	4.34			5.33	5.26				6.20				
27000		25x45	30x35			30x50	35x40				35x50				
		4.96	4.95			5.96	5.93				6.89				
33000			30x40	35x30			35x45								
			5.60	5.46			6.65								
39000			30x45	35x35			35x50								
			6.21	6.12			7.31								
47000			30x50	35x40											
			6.93	6.89											
56000				35x45											
				7.69											

Cap(μF) \ WV	63V				80V				100V						
1200					22x25				22x30	25x25					
					1.66				2.11	2.11					
1500					22x30				22x35	25x30	30x25				
					1.96				2.45	2.47	2.56				
1800	22x25				22x30	25x25			22x40	25x35					
	1.82				2.11	2.11			2.77	2.81					
2200	22x30	25x25			22x35	25x30	30x25		22x45	25x40	30x30				
	2.14	2.14			2.44	2.46	2.56		3.15	3.21	3.17				
2700	22x35	25x30			22x40	25x35			25x45	30x35	35x30				
	2.49	2.52			2.82	2.86			3.66	3.65	3.77				
3300	22x35	25x30	30x25		22x45	25x40	30x30		25x50	30x40					
	2.72	2.74	2.84		3.23	3.29	3.25		4.15	4.18					
3900	22x40	25x35			22x50	25x45	30x35			30x45	35x35				
	3.09	3.13			3.62	3.71	3.70			4.67	4.61				
4700	22x50	25x40	30x30	35x25		25x50	30x40	35x30		30x50	35x40				
	3.69	3.59	3.54	3.25		4.20	4.23	4.12		5.26	5.23				
5600		25x45	30x35				30x45	35x35			35x45				
		4.01	4.00				4.70	4.64			5.88				
6800		25x50	30x40	35x30			30x50	35x40							
		4.52	4.55	4.44			5.27	5.24							
8200			30x45	35x35				35x45							
			5.12	5.05				5.89							
10000			30x50	35x40				35x50							
			5.78	5.75				6.63							
12000				35x45											
				6.47											

Allowable ripple current (A) at 85°C 120Hz

## • Standard Products Table

Dφ x L (mm)

Cap (μF) \ WV	160V				180V				200V				250V				
220													22x25				
													1.15				
270									22x25				22x30	25x25			
									1.25				1.25	1.25			
330					22x25				22x30				22x35	25x30			
					1.35				1.40				1.45	1.45			
390	22x25				22x30				22x30	25x25			22x40	25x30	30x25		
	1.55				1.55				1.60	1.60			1.70	1.70	1.70		
470	22x30	25x25			22x35	25x25			22x35	25x30			22x45	25x35	30x30		
	1.75	1.75			1.75	1.75			1.80	1.80			1.90	1.90	1.90		
560	22x35	25x30			22x40	25x30			22x40	25x35	30x25		22x50	25x40	30x30	35x25	
	1.90	1.90			2.00	2.00			2.00	2.00	2.00		2.15	2.15	2.15	2.15	
680	22x40	25x30	30x25		22x45	25x35	30x25		22x45	25x40	30x30		25x45	30x35	35x30		
	2.15	2.15	2.15		2.25	2.25	2.25		2.30	2.25	2.30		2.35	2.35	2.35		
820	22x45	25x35	30x30		22x50	25x40	30x30	35x25	22x50	25x45	30x35	35x30			30x40	35x35	
	2.45	2.45	2.45		2.50	2.50	2.50	2.50	2.50	2.50	2.50	2.50			2.75	2.75	
1000	22x50	25x40	30x30	35x25			30x35	35x30			30x40	35x30			30x45	35x40	
	2.80	2.80	2.80	2.80			2.85	2.85			2.95	2.95			3.00	3.00	
1200		25x45	30x35	35x30			30x40	35x30			30x45	35x35				35x45	
		3.25	3.25	3.25			25x50	3.30	3.30			3.40	3.40				3.50
1500			30x40	35x35			30x45	35x35			30x50	35x40				35x50	
			3.75	3.75			3.75	3.75			3.80	3.80				4.00	
1800			30x50	35x40				35x45				35x45					
			4.00	4.00				4.05				4.15					
2200				35x45				35x50				35x50					
				4.50				4.60				4.70					
2700				35x50													
				5.15													

Cap(μF) \ WV	350V				400V				450V			
56									22x25			
									0.59			
68									22x30			
									0.63			
82					22x25				22x30	25x25		
					0.72				0.78	0.78		
100	22x25				22x30				22x35	25x30		
	0.86				0.77				0.92	0.92		
120	22x30	25x25			22x30	25x25			22x40	25x35	30x25	
	0.99	0.99			0.94	0.94			1.06	1.08	1.05	
150	22x35	25x25			22x35	25x30			22x50	25x40	30x30	
	1.14	1.10			1.13	0.92			1.28	1.25	1.23	
180	22x40	25x30	30x25		22x40	25x35	30x25		25x45	30x40		
	1.28	1.24	1.27		1.27	1.06	1.26		1.41	1.48		
220	22x45	25x35	30x30	35x25	22x45	25x40	30x30	35x25	25x50	30x40	35x30	
	1.44	1.38	1.41	1.46	1.45	1.22	1.46	1.50	1.59	1.60	1.57	
270	22x50	25x40	30x35	35x25	25x45	30x35	35x30		30x45	35x35		
	1.64	1.63	1.66	1.63	1.69	1.68	1.46		1.83	1.80		
330		25x50	30x35	35x30	25x50	30x40	35x30		30x50	35x40		
		1.88	1.83	1.87	1.92	1.93	1.88		2.08	2.06		
390			30x40	35x30			30x45	35x35			35x45	
			2.06	2.03			2.16	2.13			2.31	
470			30x50	35x35			30x50	35x40			35x50	
			2.40	2.33			2.43	2.42			2.47	
560				35x40				35x45				
				2.60				2.72				
680				35x45				35x50				
				2.96				3.08				
											Case size	
											Allowable ripple	

Allowable ripple current (A) at 85°C 120Hz